

TECHNICAL DATA SHEETS

DESCRIPTION

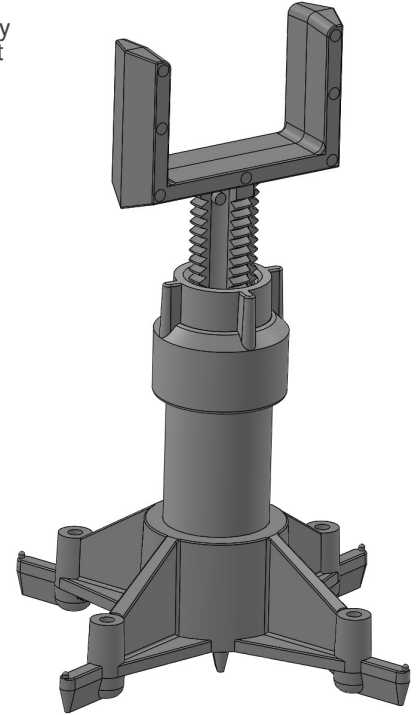
Strong and stable, our screed chair is designed to support a lumber or pipe screed in a wide variety of applications. Users can cut a 1" O.D PVC pipe to the desired length and then fine tune the exact screed height with the durable and easy-to-adjust threaded ring supporting the screed receiver. Product is available as a complete set (base, adjustable ring, and receiver) or base only. The base measures 4-3/4" diagonally and is 1-1/4" high. The receiver is 2-3/8" wide on the outside, and has an adjustable range of approximately 1-1/2".

APPLICATION

- On grade slab, elevated slab

FEATURES

- Includes base, adjustable ring, and receiver
- Base can be purchased separately
- Fits 2x4 lumber and 1 1/2" diameter pipe screeds
- Allows up to 1 1/2" height adjustment
- 1" O.D. PVC pipe (sold separately) can be cut to any height
- 300 lb. safe working load compression



PRODUCT INFORMATION

Item	Description	Pack	Quantity / Pack	Boxes / Pallet	Quantity / Pallet
SCREED-BASE	4 3/4" x 1 1/4"	BOX	200	24	4,800
SCREED-CHAIR	2 3/8" x 1 1/2"	BOX	100	24	2,400

MANUFACTURER INFORMATION

- ☎ (909) 356-5399 (949) 771-5657
- ☎ (909) 726-9500
- ✉ info@inlandconcreteproducts.com



Inland Concrete Products
14760 Santa Ana Ave.
Fontana, Ca 92337