

## TECHNICAL DATA SHEETS

### DESCRIPTION

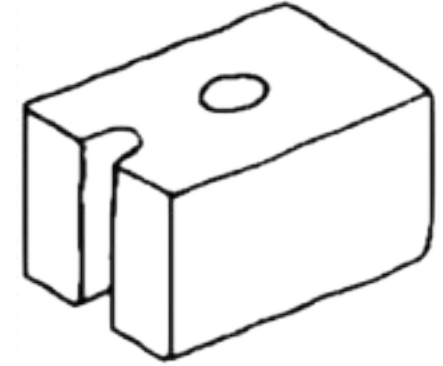
These concrete dobies uniquely support two mats of reinforcement when used with 90 degree bend rebar dowel.

### APPLICATION

- On grade

### FEATURES

- Depth of hole is 1/2" from bottom.
- Ideally suited for heavy rebar mats on-grade.
- Meets standard PSI specs, and like all our concrete spacers, can be custom ordered for increased strength.
- Standard 4000 PSI (Additional strength available at added cost).
- D.O.T. Approved (In most states).
- Meets all requirements and qualifies as a CRSI Class 1 Bar Support.





### PRODUCT INFORMATION


**MADE IN THE USA**

| Item          | Description           | Quantity / Pallet | Weight (lbs / pallet) |
|---------------|-----------------------|-------------------|-----------------------|
| <b>CDD300</b> | 3" x 3 1/2" x 4"      | 1,280             | 3,700                 |
| <b>CDD500</b> | 3" x 4" x 4 1/2" x 5" | 756               | 3,600                 |

### MANUFACTURER INFORMATION

 (909) 356-5399 (949) 771-5657

 (909) 726-9500

 [info@inlandconcreteproducts.com](mailto:info@inlandconcreteproducts.com)



**Inland Concrete Products**  
14760 Santa Ana Ave.  
Fontana, Ca 92337