

## TECHNICAL DATA SHEETS

### DESCRIPTION

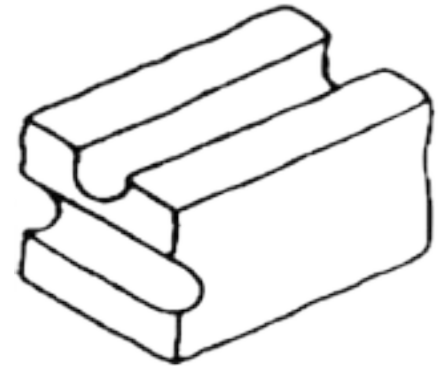
These concrete dobies have grooves built into them to create a cradle for the rebar to set in. This can create many usable dimensions from one brick. For instance, the 3 x 4 x 3 inch combo has an outside dimension of 3 inches by 4 inches. With the two grooves this product will provide cover heights of 2 ½", 3", 3 ½", and 4". All our concrete spacers meet standard PSI specs and can optionally be customized to add more strength for your specific rebar reinforcement needs.

### APPLICATION

- On grade.

### FEATURES

- Multiple cover heights.
- Designed with multiple heights within a single unit.
- Standard 4000 PSI (additional strength available at added cost).
- D.O.T. approved (in most states).
- Meets all requirements and qualifies as a CRSI Class 1 Bar Support.



### PRODUCT INFORMATION

Item	Description	Quantity / Pallet	Quantity / Bag	Weight (lbs / pallet)
<b>CCD250</b>	1 1/2" x 2" x 2 1/2"	4,800	64	3,700
<b>CCD300</b>	2 1/2" x 3" x 3 1/2" x 4"	1,344	N/A	3,700

### MANUFACTURER INFORMATION

- ☎ (909) 356-5399 (949) 771-5657
- 📠 (909) 726-9500
- ✉ info@inlandconcreteproducts.com

